

SPK60

max 6000 kg

max 3505 x 2320 x 2640 mm

max 27 m

max 18 m

The only mini crawler crane on the market with an operator's cab and luffing capability thanks to its hydraulic articulated jib - fully featured, advanced technology and more than 50 configurations.



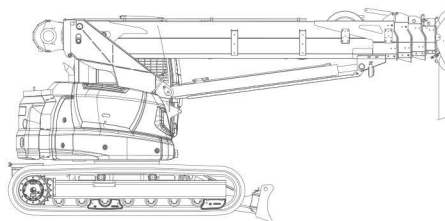
Technical Information

Dimension	L x W x H	3505 x 2320 x 2640 mm
Track Ext.		3505 x 2920 mm
Crane & Options Weights		Kg
	SPK60	12200
	/	1560
	8T-D10	110
	PP400-11D.V02 PP600-11D.V03	140
AUX	JIB1501.3HL	650
	JIB1501.FL	256
	JIB3500GX	70
	JIB300GR	245
SPK60 Diesel Engine	YANMAR 4TNV98CT-VPR	53.7 kW 73.0 Hp
Speed		1.7/3.1 km/h
Gradeability		10°



Winch & Fall Stages

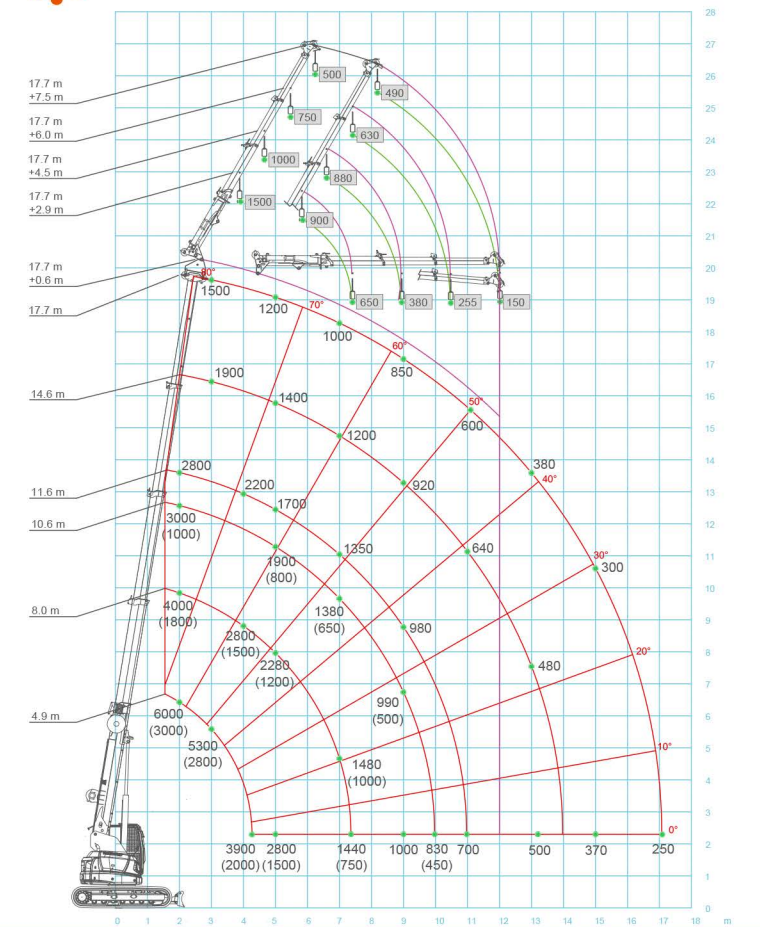
Main Winch
1500 kg
125 m - Ø 10 mm
30-55 m/min.



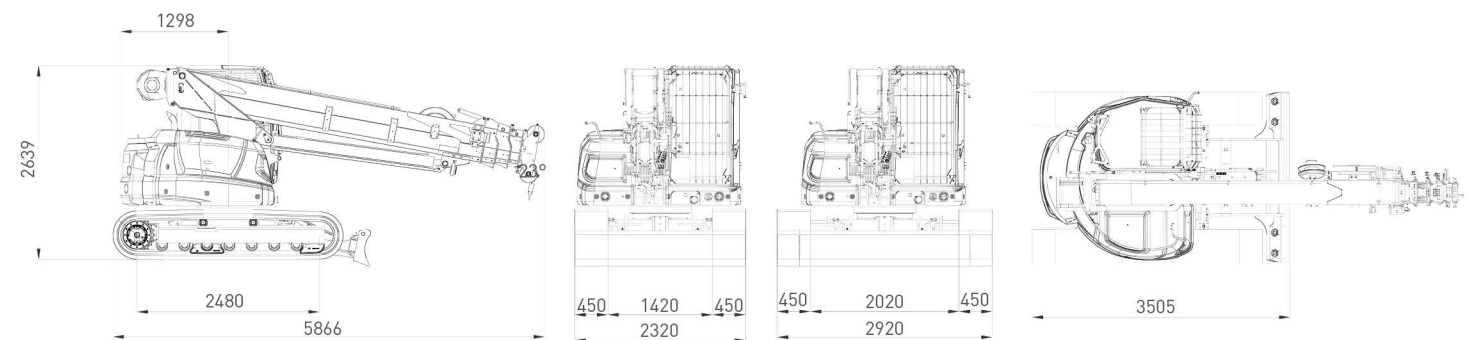
Max. Capacity	Line	Metres
max 6000 kg	6	-20 m
max 6000 kg	5	-23 m
max 6000 kg	4	-28 m
max 4500 kg	3	-38 m
max 3000 kg	2	-58 m
max 1500 kg	1	-116 m

Load Chart

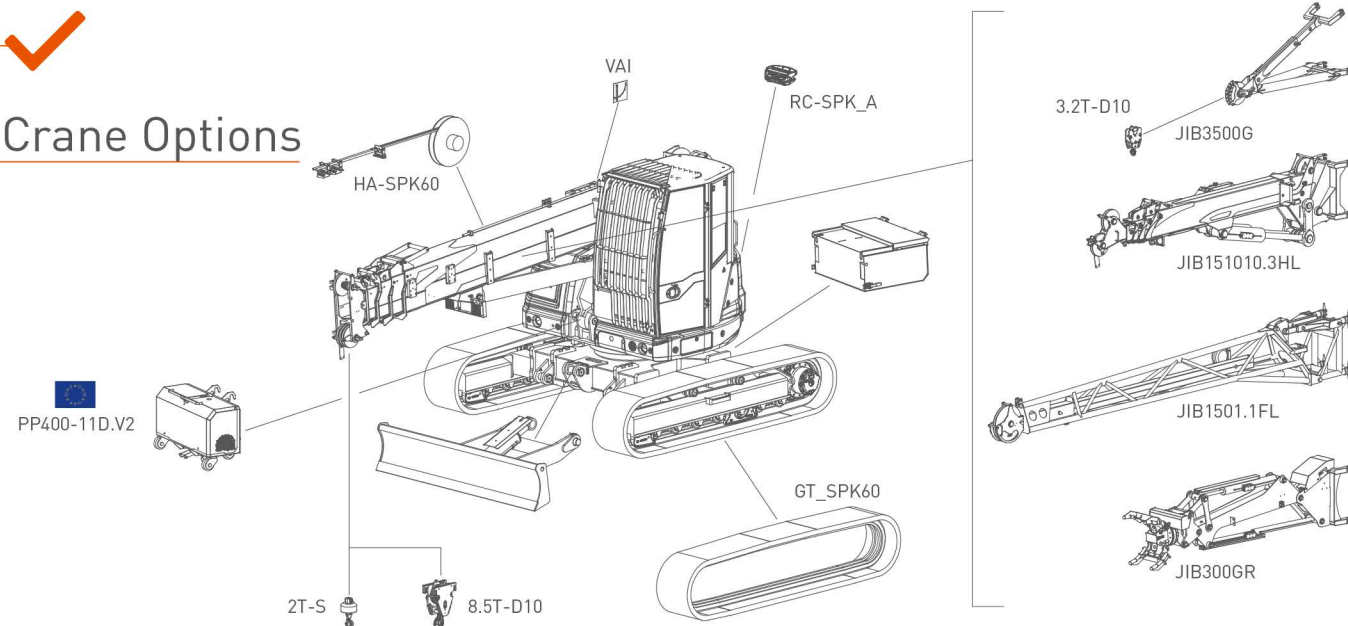
Capacity with jib



Dimensions



Crane Options



- A2B
- BPI
- CCI
- DTC
- EXT
- GSC
- LMI
- P&C
- PPA
- SCI
- TH
- VW
- RCD
- 2SW
- 2ST

Tools Configurations

JIB3500GX	JIB1501.3HL	JIB1501.1FL	JIB300GR
max 3500 kg	max 1500 kg	max 1500 kg	max 300 kg
max 1330 kg @ 20.5 m	max 490 kg @ 26 m	max 700 kg @ 26 m	max 300 kg @ 16 m
max 150 kg @ 18.5 m	max 150 kg @ 12 m	max 200 kg @ 14 m	max 300 kg @ 11 m